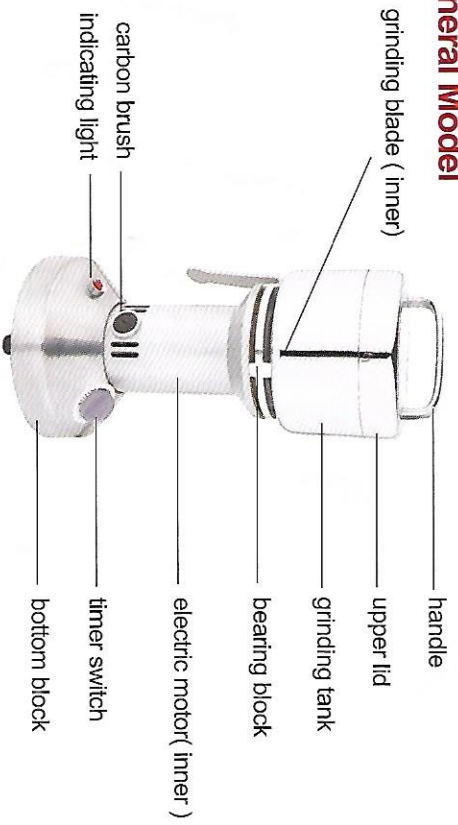


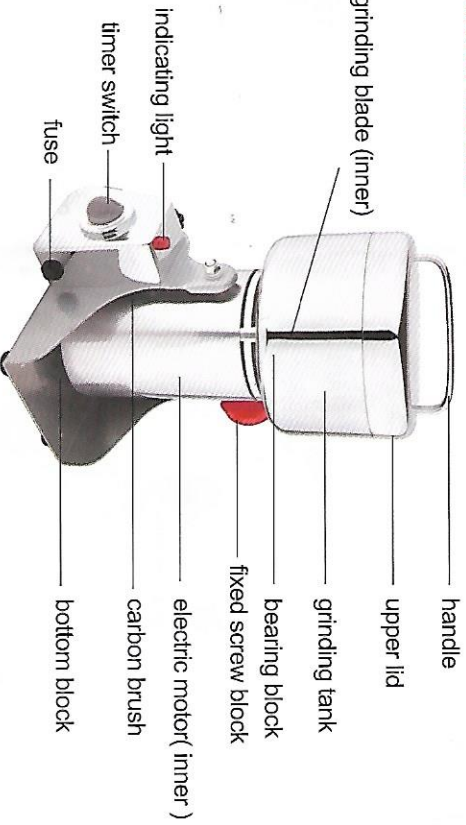
Instructions for use

Welcome to use our RIRIHONG Brand Hi-speed Multifunctional Grinder. This product is equipped with Japanmade electric motor and bear. The technology has a dense structure, low noise, the small volume, easy operation, nice design and little loss of the milling stuff. It works without dust and shaking, as well as providing less power, more safety and other beneficial factors. The products can grind the soft or hard medical materials easily and fast, such as Tianqi, Haima, Shangcigu, Ejiao, Ruxiang, Lingzhi and American Ginseng etc. While it can reach an ideal effects for grinding the Chinese herb medicine, pearl, chemical material and all the dried food stuffs.

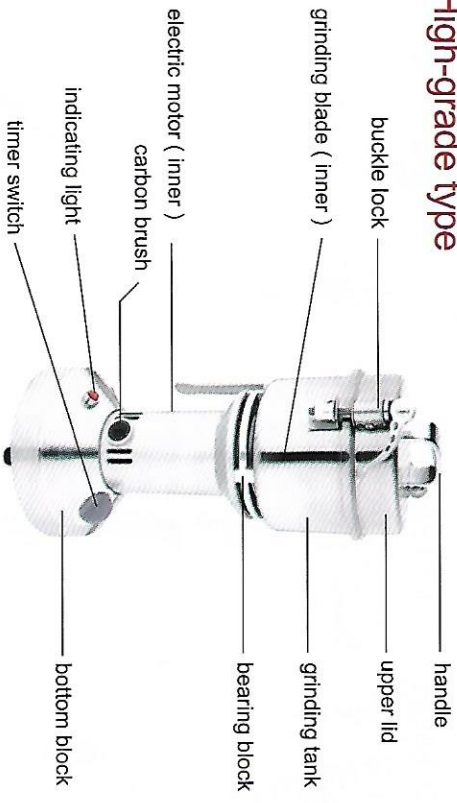
General Model



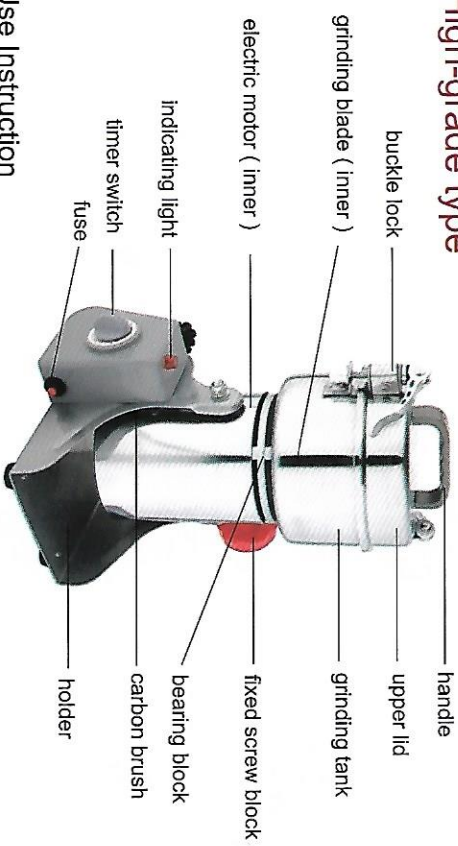
General Model



High-grade type



High-grade type



Use Instruction

1. Open the upper lid (clockwise close but counter -clockwise open)
2. Put the dried stuff into the grinding tank (according to the different models)
3. Close the upper lid tightly (the above 1-3 items are suitable for the general models)
4. Turn off the power, open the buckle lock (open up) and the upper lid., put the grinding materials, then close the upper lid tightly. (just one click) According to the different models, this item is suitable for the luxury model
5. Connect with the power, turn on the switch or the timer switch.
6. While the working sounds smooth, it shows the materials has grinded completely. The timer will work automatically, but we have to stop it if we don't have a timer.
7. For the safety, we strongly suggest that we can NOT put out of the grinded powder until we turn off the power and stop the operating of the machine

Accessory

- (1) blade large and small, each one
- (2) carbon brush one pair
- (3) one brush
- (4) one fuse

THE COMMON PROBLEM REASONS AND ELIMINATING METHODS

Problem	reasons	Resolving methods
		The following operations should be taken in the case of power off
the electric motor can't move	bad connection of the power or the loose of the plug; bad connection of the switch or time workout; carbon brush can't connect with the surface of the steering; blown fuse	repair or replace of the switch; Repair or replace of the switch or replace of the 5-minute timer; Adjust the pressure of the spring so that it can connect well or replace of the carbon brush; replace of the fuse.
Make noise after the electric motor works, turn slowly or just can turn	the connection of the switch is blown, the grinding stuff is too wet, or too much that it block the blade, electric motor short circuit power voltage too low	repair or replace of the switch Turn off the power immediately, (preventing from the blown electric motor) take out the blocked object repaired by the professional persons adjust the power voltage
The surface of the electric motor is too hot and the motor stops	too much of the work time too much of the loading electric motor moisture shaft displacement power supply voltage drops	decrease the work time and the pressure ask the local seller or the manufacture for the repair or replace dry the electric motor adjust the power supply voltage
The surface of the turning makes discharges or sparks	short or open circuit of the electric motor bad connection of the carbon brush and the turner the surface of the turner is not smooth enough.	repaired by professional persons Adjust the pressure of the spring so that it can connect well or replace of the carbon brush clean the surface of the turner

Attentions!

1. For the personal safety, the power supply must be ground.
2. The grinding stuff must be dried, but not moisture or grease materials
3. The grinding stuff should not be more than half of the grinding tank capacity
4. The ordinary Chinese herb medicines will take about 1-2 minutes, the hard ones for 3 minutes.
5. The product can't work for long time. It works for less than 5 minutes. If there is much work, we suggest the intervals use to prevent from the bear is too hot and damage the electric motor.
6. Don't turn on the switch when open the upper lid. Disconnect the power supply first.
7. After the long usage, the carbon brush and the blade may wear, replace them in time.
8. Check up the blade periodically, it must be fixed for the safety if the screw in the tank is loose.

Diagrammatic sketch for the accessory replacement



As for the replacement of the carbon, screw tightly as the above sketch shows

Warranty card

name of the product: _____
 model: _____
 purchase place: _____
 purchase date: _____
 name of the customer: _____
 mobile phone: _____
 postal code: _____
 telephone: _____
 Address: _____

- conditions of the warranty
- We provide one year of the warranty term since the purchase of the product. During the warranty, the customer should not open the product inside part without the authorization. The exchange of the product will permit within the purchase of the 7 days.
 - The manufacturer will take all the delivery expense within the purchase of one month.. the customer will take the one-waydelivery expense within the 3 month of the purchase. After the 3 months of the purchase, the customer will take all the delivery expenses. But the repair is free of charge.
 - It is not in the warranty condition that the customer' s improper use or man-made damage. For example, to drop down, to grind the moisture stuff or not suitable stuff that causes the (electric motor) damage, burn.
 - It is not in the warranty condition for the blade the accessory.
 - During the warranty, if there is problem, please send the product with the warranty card to the assigned the repair maintenance
 - Please safekeeping this warranty card. If the warranty card is lost, the warranty will not be responsible.
 - The Regulations of the company will have the right of final interpretation.

National consultation hot line phone for free: 4006887868

the whole system parameters

Model	grinding weight	power supply (voltage)	Power (watts)	Motor speed (r/min)
RRH100	100	220	700	28000
RRH200	200	220	1200	28000
RRH250	250	220	1400	28000
RRH350	350	220	1600	28000
RRH400	400	220	2000	28000
RRHA200	200	220	1400	28000
RRHA250	250	220	1600	28000
RRHA350	350	220	1800	28000
RRHA400	400	220	2000	28000
RRHA500	500	220	2300	25000
RRHA750	750	220	2500	25000
RRHA1000	1000	220	2800	25000
RRHA1500	1500	220	3500	25000
RRHA2000	2000	220	4000	25000

Remarks: we don't make the notice if the above technical parameters change.
 All depend on the actual indication.